

4

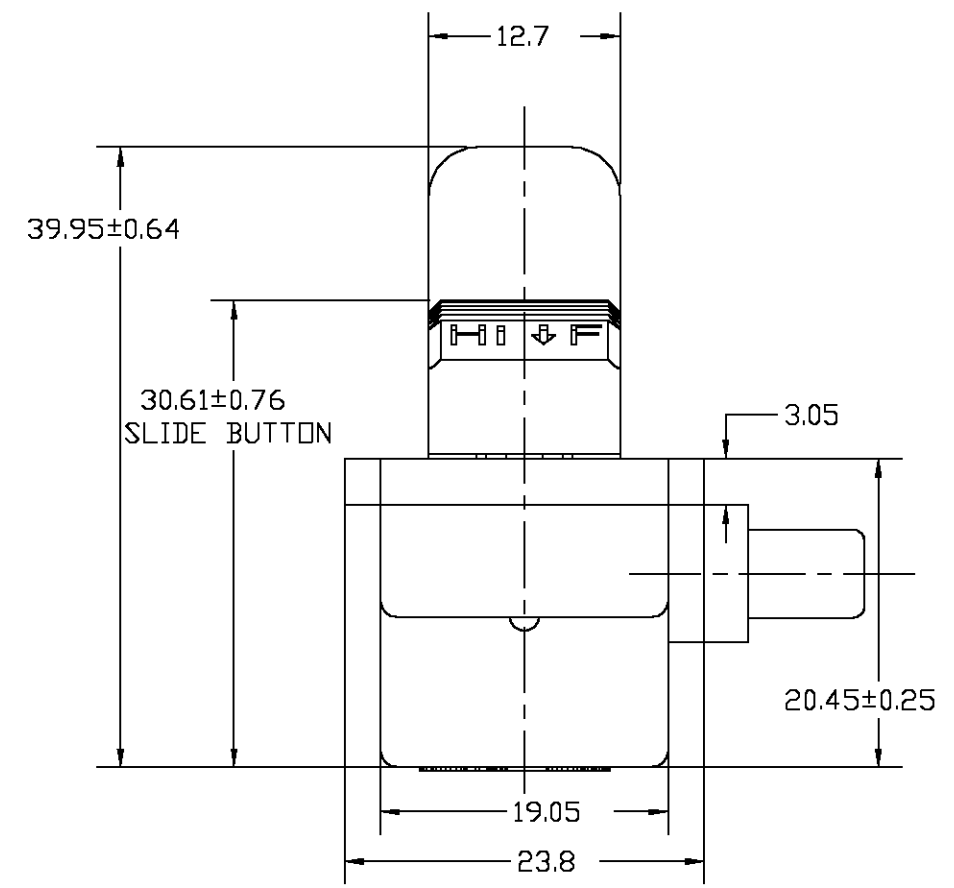
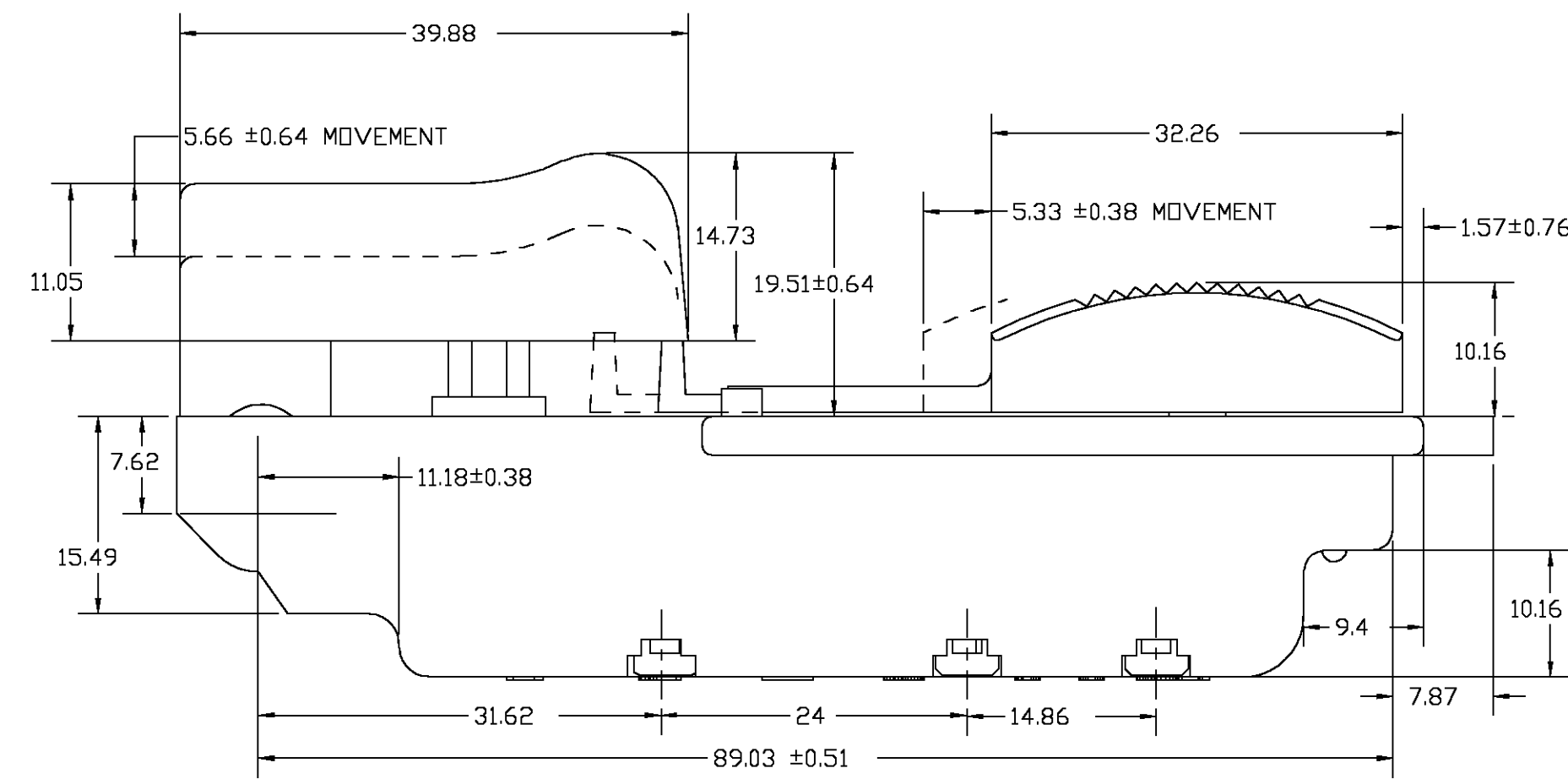
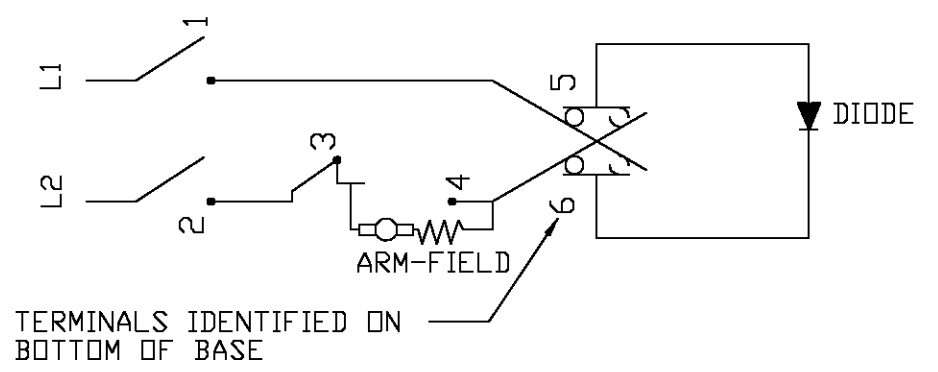
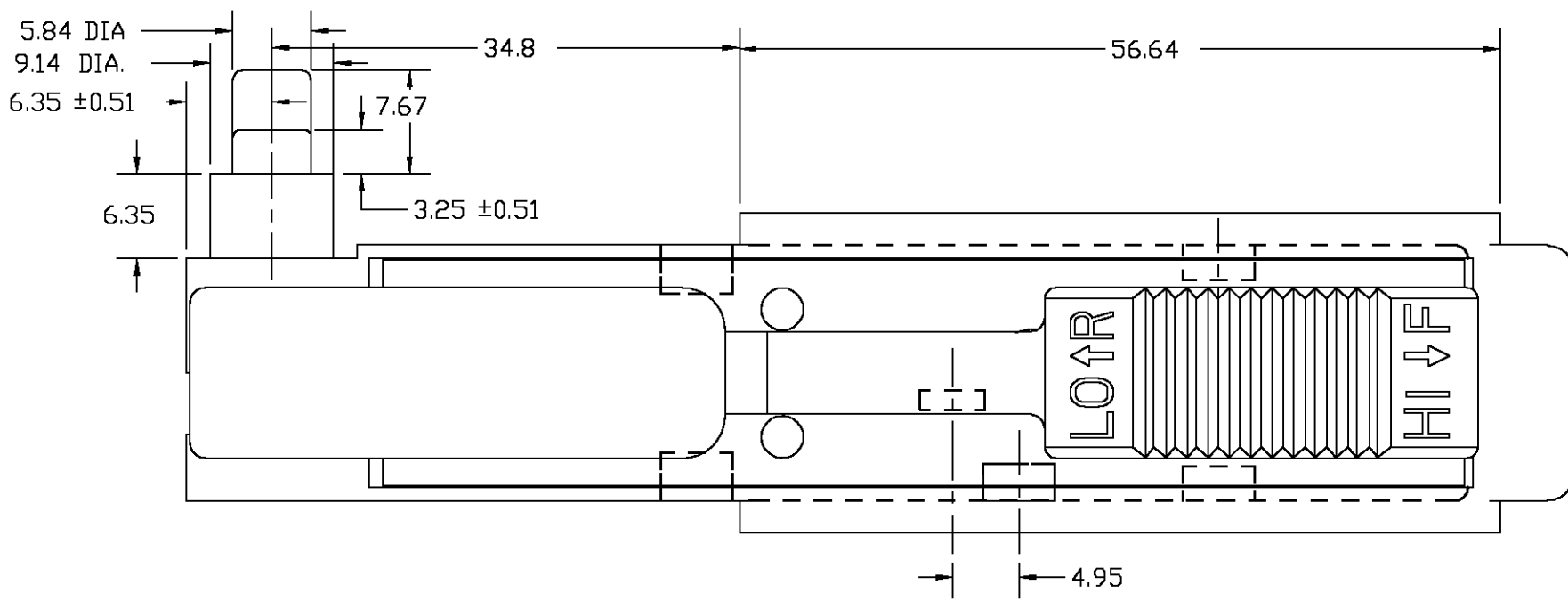
3

2

1

THIS DRAWING IS UNPUBLISHED. RELEASED FOR PUBLICATION 20
 © COPYRIGHT 20 BY TYCO ELECTRONICS CORPORATION. ALL RIGHTS RESERVED.

LOC	DIST	REVISIONS			
P	LTR	DESCRIPTION	DATE	DWN	APVD
ES	00	A	RELEASE PER ECR-05-002019	20APR05	JZ MS



- NOTES:
- USE BRUSH CONTACT "TAB LOK" AMP P/N 62008 FOR TERMINAL CONNECTIONS OF THE SWITCH.
 - SWITCH RATING 12A-125 VAC, 6A-250VAC
 - GENERAL TOL IS ±0.25

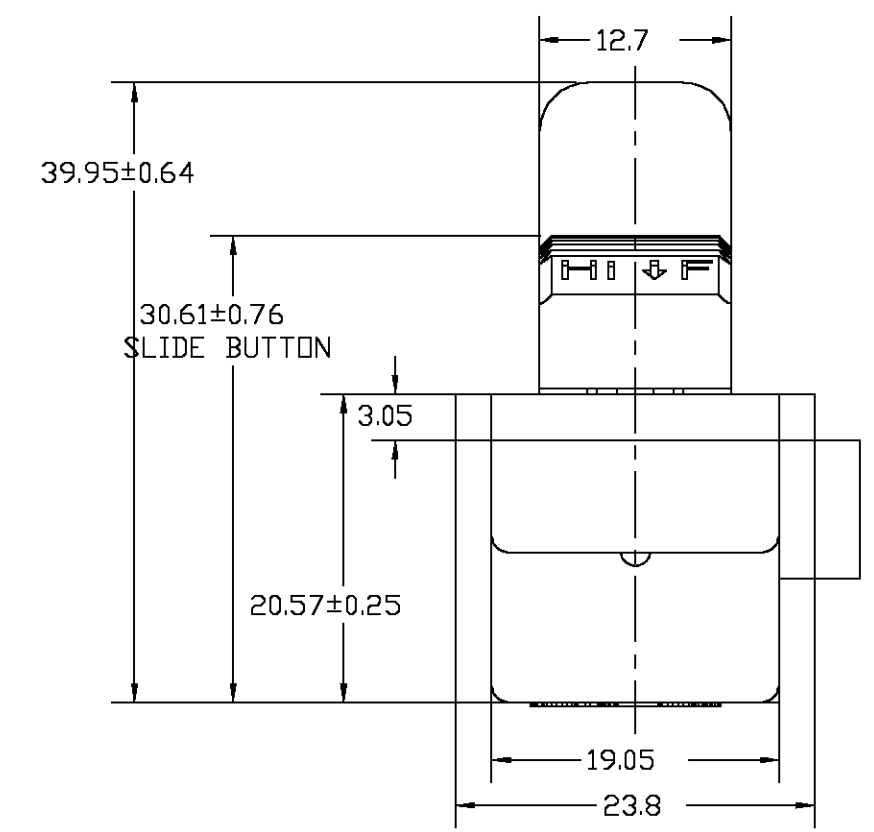
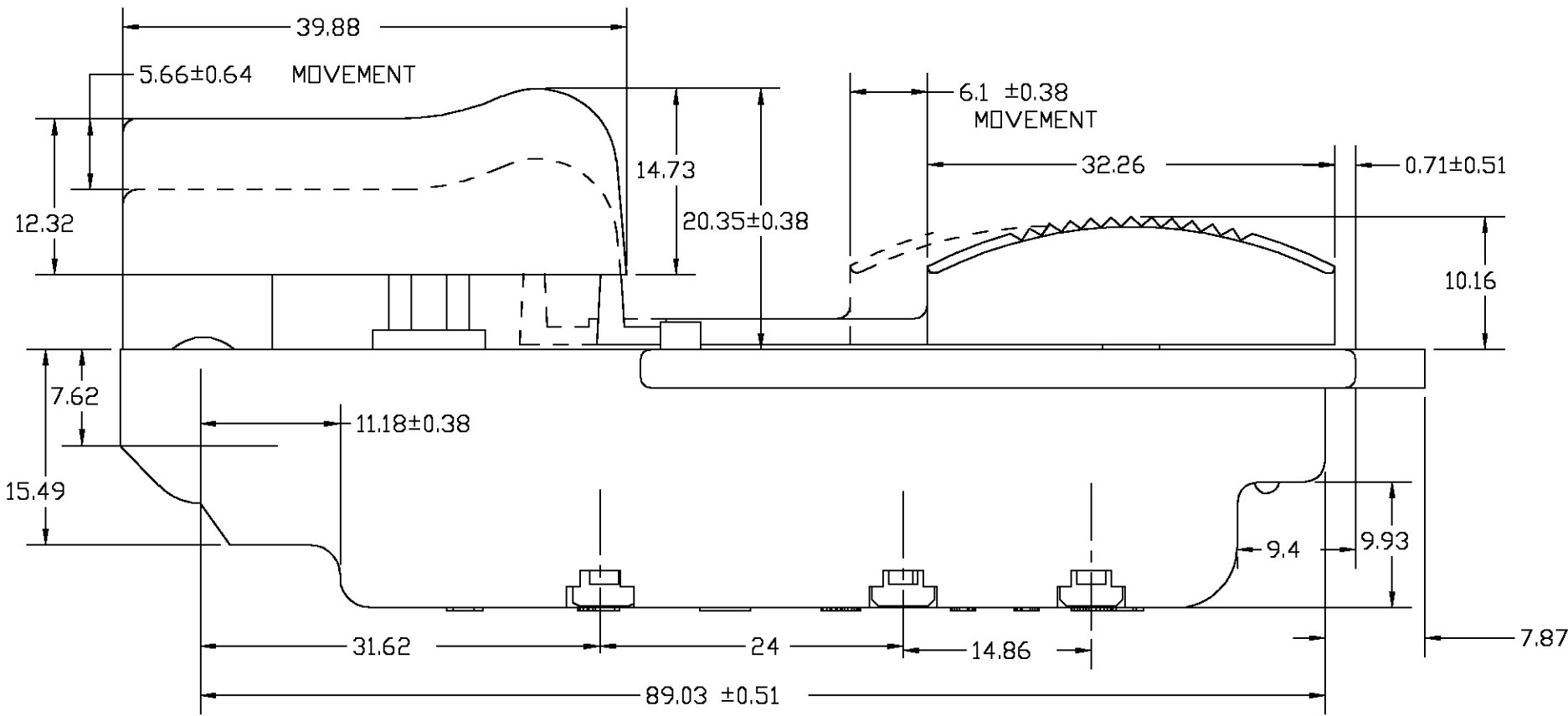
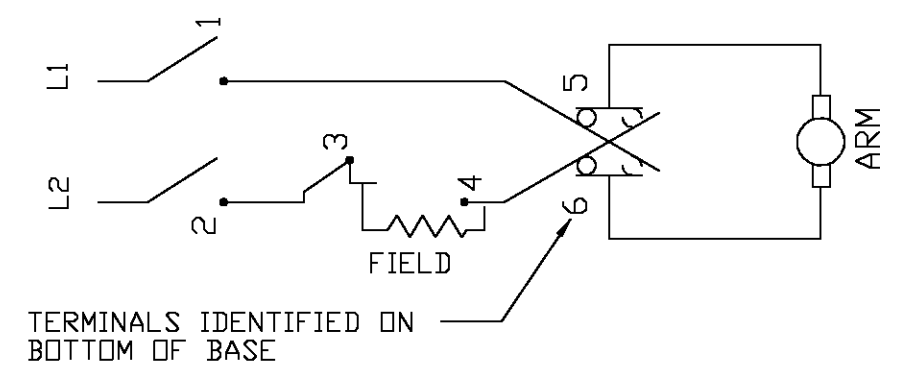
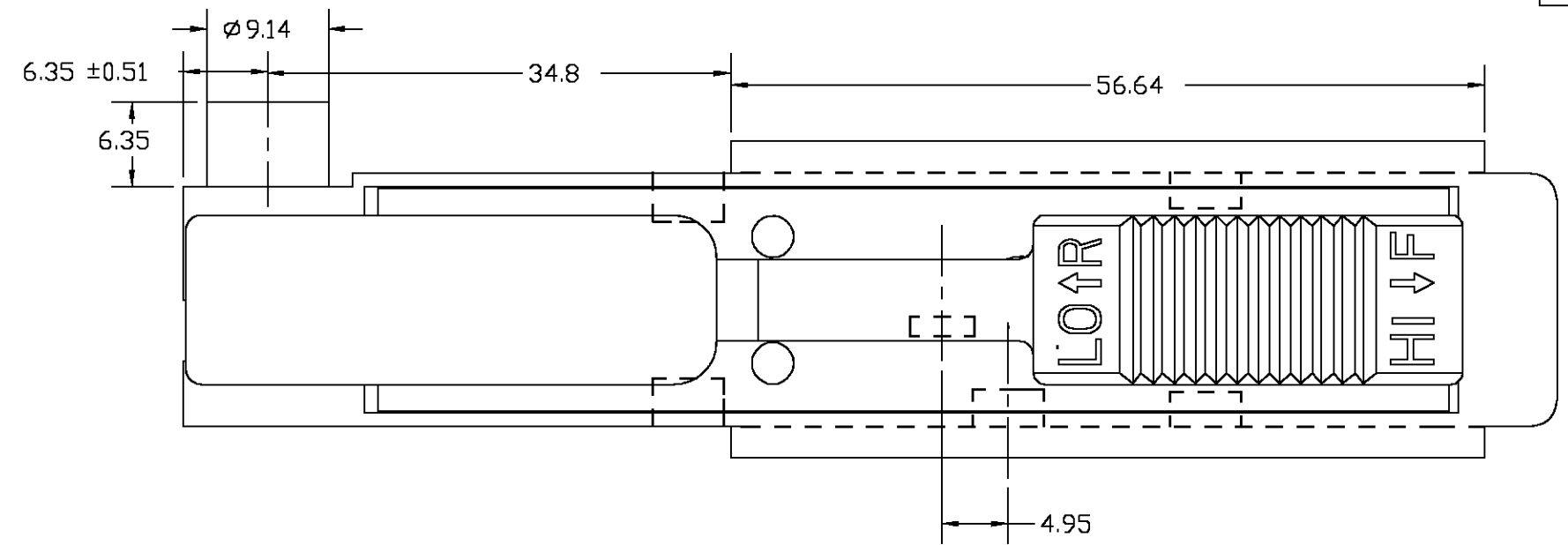
THIS DRAWING IS A CONTROLLED DOCUMENT FOR TYCO ELECTRONICS CORPORATION. IT IS SUBJECT TO CHANGE AND THE CONTROLLING ENGINEERING ORGANIZATION SHOULD BE CONTACTED FOR THE LATEST REVISION.

DIMENSIONS:	TOLERANCES UNLESS OTHERWISE SPECIFIED:
MM	
	0 PLC ±
	1 PLC ±
	2 PLC ±
	3 PLC ±
	4 PLC ±
	ANGLES ±
MATERIAL	FINISH

DWN	J.ZHANG	27APR2005	Tyco Electronics Shanghai, CHINA		
CHK	K.OOISHI	27APR2005			
APVD	M.SHINDO	27APR2005	NAME		
PRODUCT SPEC	-		HI-LD SPEED TOOL HANDLE SWITCH		
APPLICATION SPEC	-		-		
WEIGHT	-	SIZE	CAGE CODE	DRAWING NO	RESTRICTED TO
CUSTOMER DRAWING	-	A3	00779	©=1520279	-
SCALE			2:1	SHEET	1 OF 5
REV			A		

THIS DRAWING IS UNPUBLISHED. RELEASED FOR PUBLICATION 20
 © COPYRIGHT 20 BY TYCO ELECTRONICS CORPORATION. ALL RIGHTS RESERVED.

LOC	DIST	REVISIONS			
P	LTR	DESCRIPTION	DATE	DWN	APVD
ES	00	SEE SHEET 1			



- NOTE:
- USE BRUSH CONTACT "TAB LOK" AMP P/N 62008 FOR TERMINAL CONNECTIONS OF THE SWITCH.
 - SWITCH RATING 12A-125 VAC, 6A-250VAC
 - GENERAL TOL IS ±0.25

<small>THIS DRAWING IS A CONTROLLED DOCUMENT FOR TYCO ELECTRONICS CORPORATION. IT IS SUBJECT TO CHANGE AND THE CONTROLLING ENGINEERING ORGANIZATION SHOULD BE CONTACTED FOR THE LATEST REVISION.</small>		DWN J.ZHANG 20APR2005	Tyco Electronics Shanghai, CHINA	
DIMENSIONS: mm		CHK M.SHINDO 20APR2005	NAME FORWARD-REVERSE TOOL HANDLE SW.	
TOLERANCES UNLESS OTHERWISE SPECIFIED: 0 PLC ±- 1 PLC ± 2 PLC ± 3 PLC ± 4 PLC ± ANGLES ±-		APVD M.SHINDO 20APR2005	APPLICATION SPEC -	
MATERIAL -		FINISH -	SIZE A3	CAGE CODE 00779
		WEIGHT -	DRAWING NO C=1520279	RESTRICTED TO -
CUSTOMER DRAWING			SCALE 2:1	SHEET 2 OF 5
			REV A	

4

3

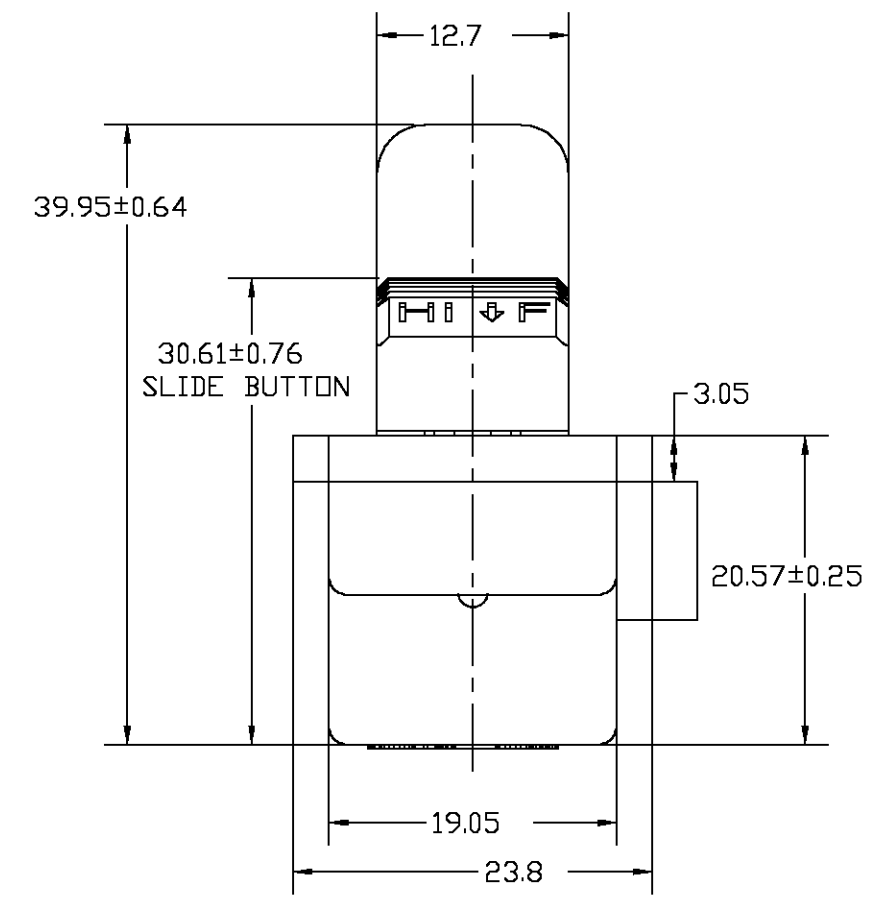
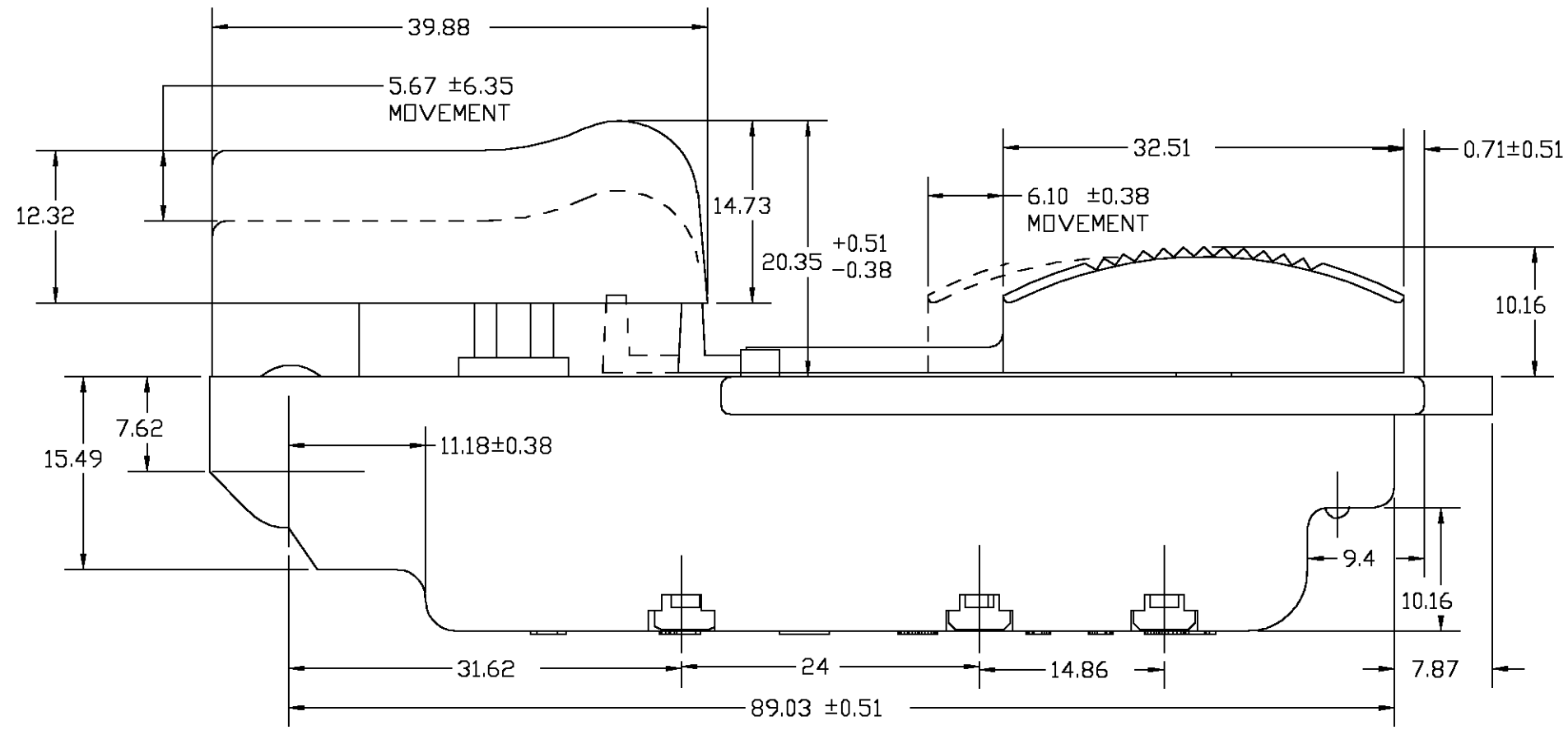
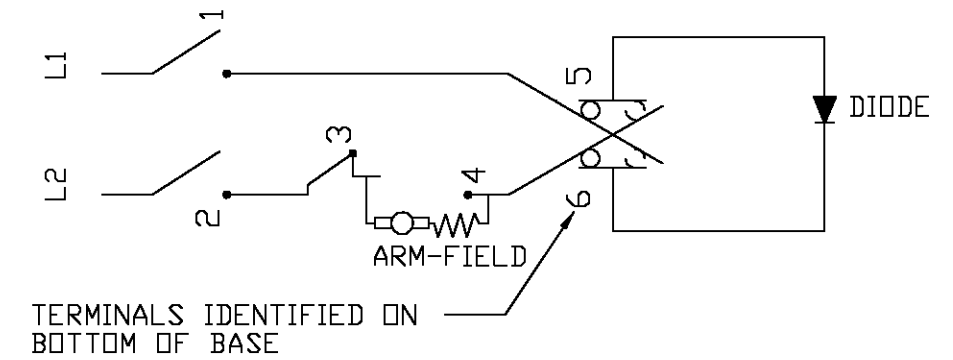
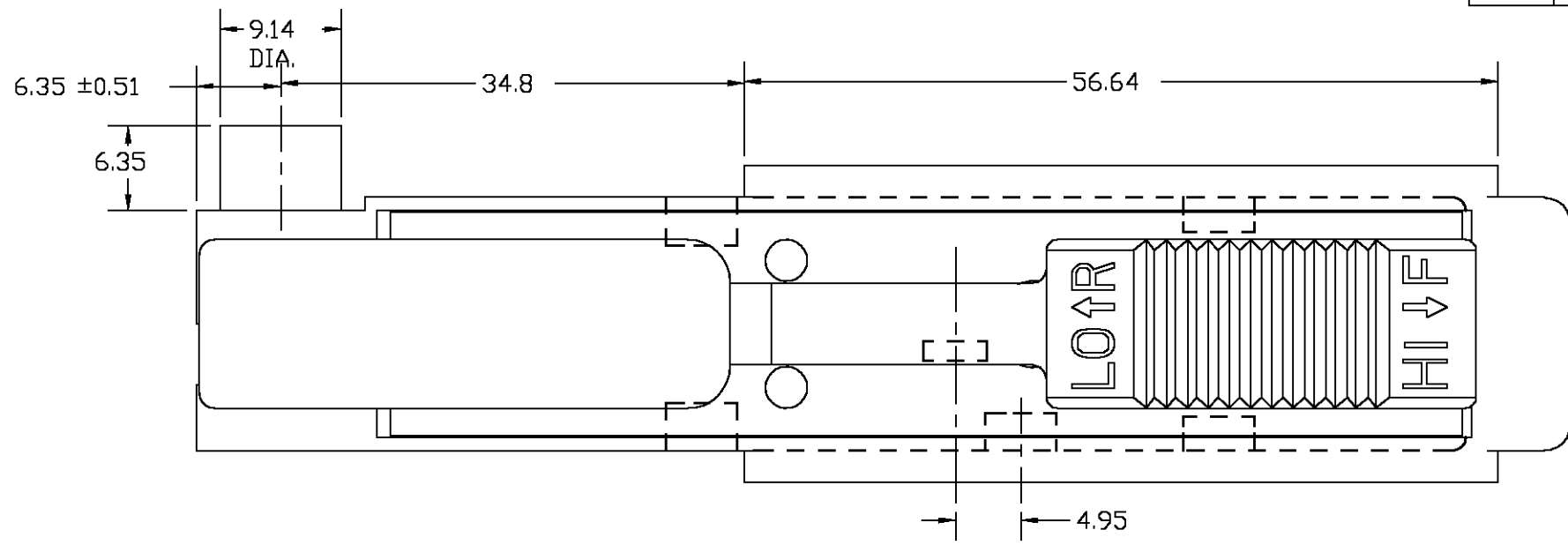
2

1

THIS DRAWING IS UNPUBLISHED. RELEASED FOR PUBLICATION 20
 © COPYRIGHT 20 BY TYCO ELECTRONICS CORPORATION. ALL RIGHTS RESERVED.

LOC ES DIST 00

REVISIONS					
P	LTR	DESCRIPTION	DATE	DWN	APVD
	-	SEE SHEET 1	-	-	-



NOTES:

- USE BRUSH CONTACT "TAB LOK" AMP P/N 62008 FOR TERMINAL CONNECTIONS OF THE SWITCH.
- SWITCH RATING 12A-125 VAC, 6A-250VAC
- GENERAL TOL IS ±0.25

<small>THIS DRAWING IS A CONTROLLED DOCUMENT FOR TYCO ELECTRONICS CORPORATION. IT IS SUBJECT TO CHANGE AND THE CONTROLLING ENGINEERING ORGANIZATION SHOULD BE CONTACTED FOR THE LATEST REVISION.</small>		DWN J.ZHANG 27APR2005	Tyco Electronics Shanghai, CHINA	
		CHK K.OOISHI 27APR2005		
		APVD M.SHINDO 27APR2005	NAME HI-LD SPEED TOOL HANDLE SWITCH	
DIMENSIONS: mm 		PRODUCT SPEC -	RESTRICTED TO -	
TOLERANCES UNLESS OTHERWISE SPECIFIED: 0 PLC ±- 1 PLC ±- 2 PLC ±- 3 PLC ±- 4 PLC ±- ANGLES ±-		APPLICATION SPEC -	SIZE A3	CAGE CODE 00779
MATERIAL -		WEIGHT -	DRAWING NO ©=1520279	
		CUSTOMER DRAWING	SCALE 2:1	SHEET 3 OF 5 REV A

4

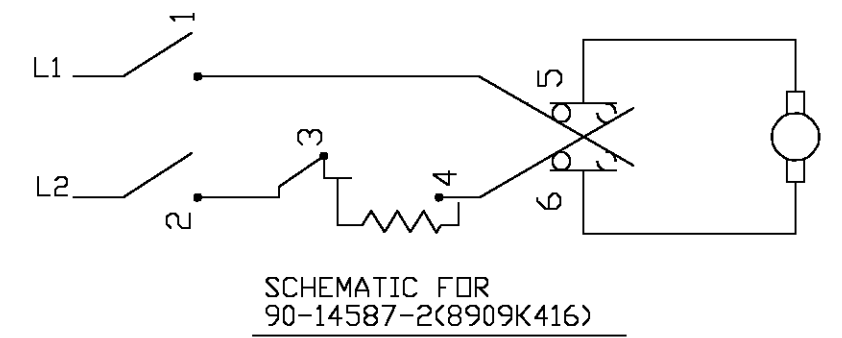
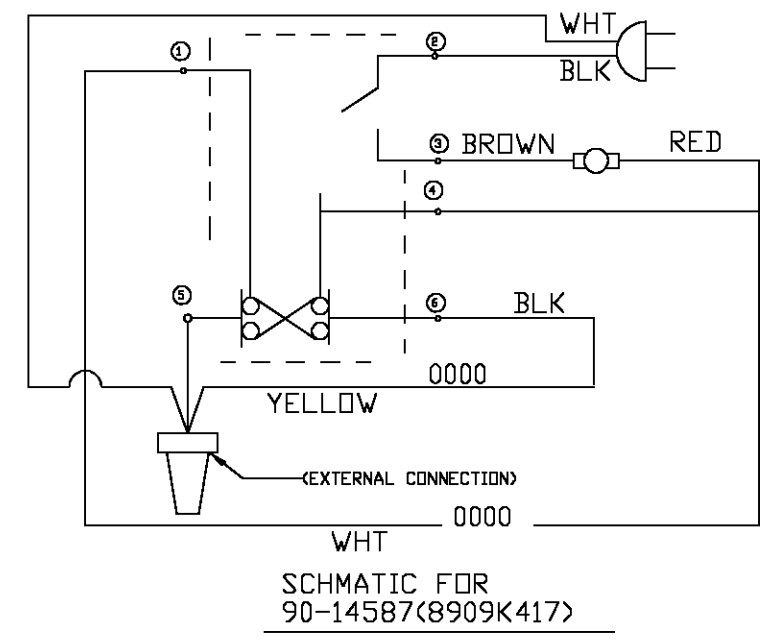
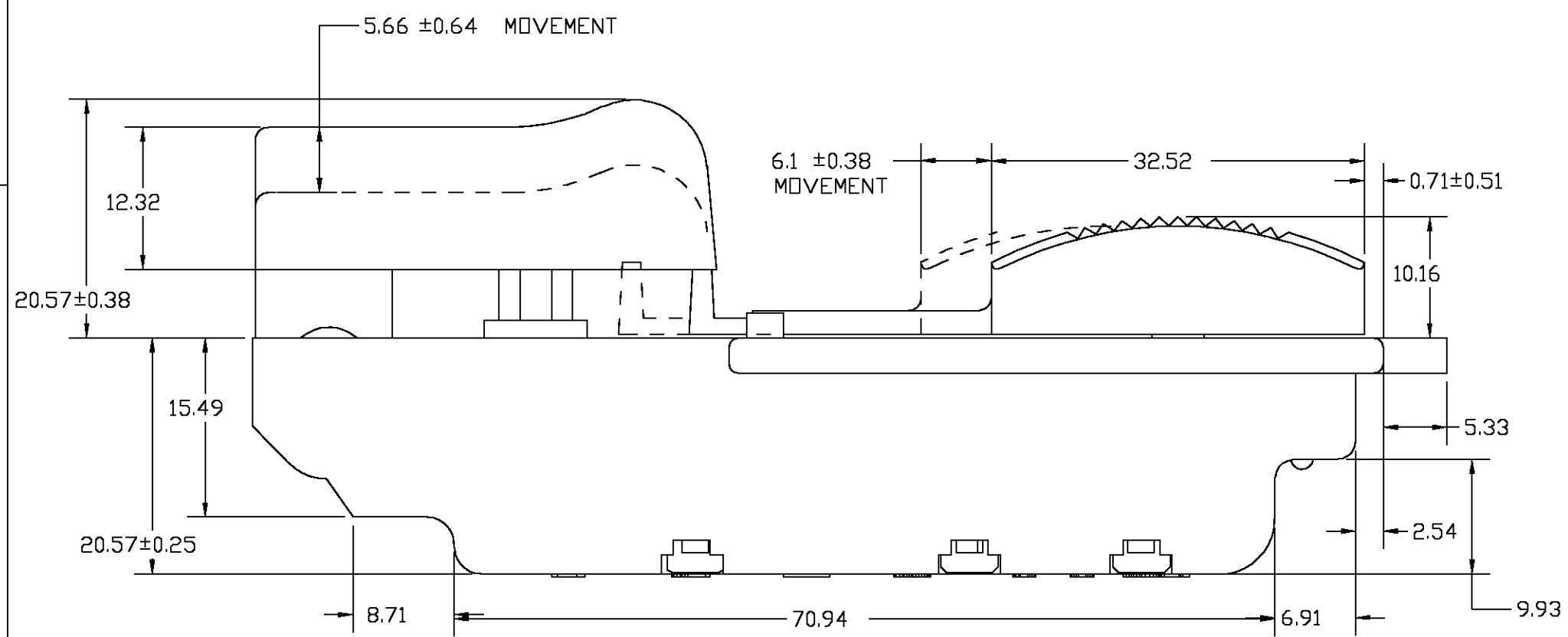
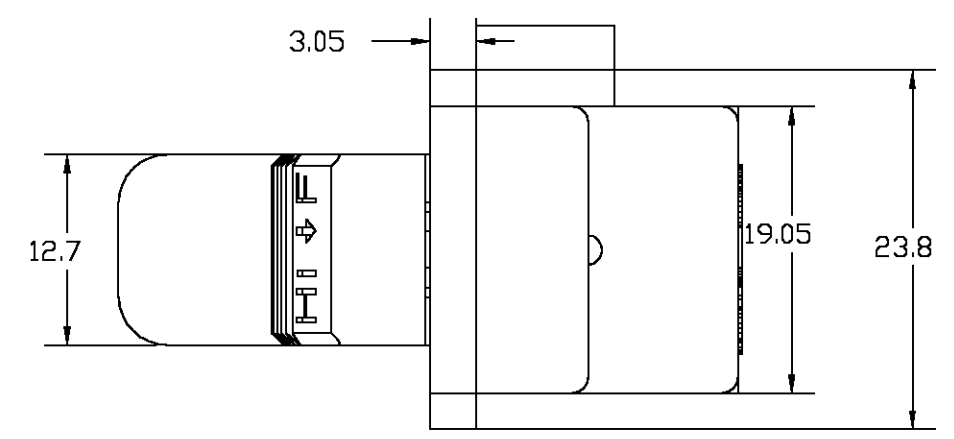
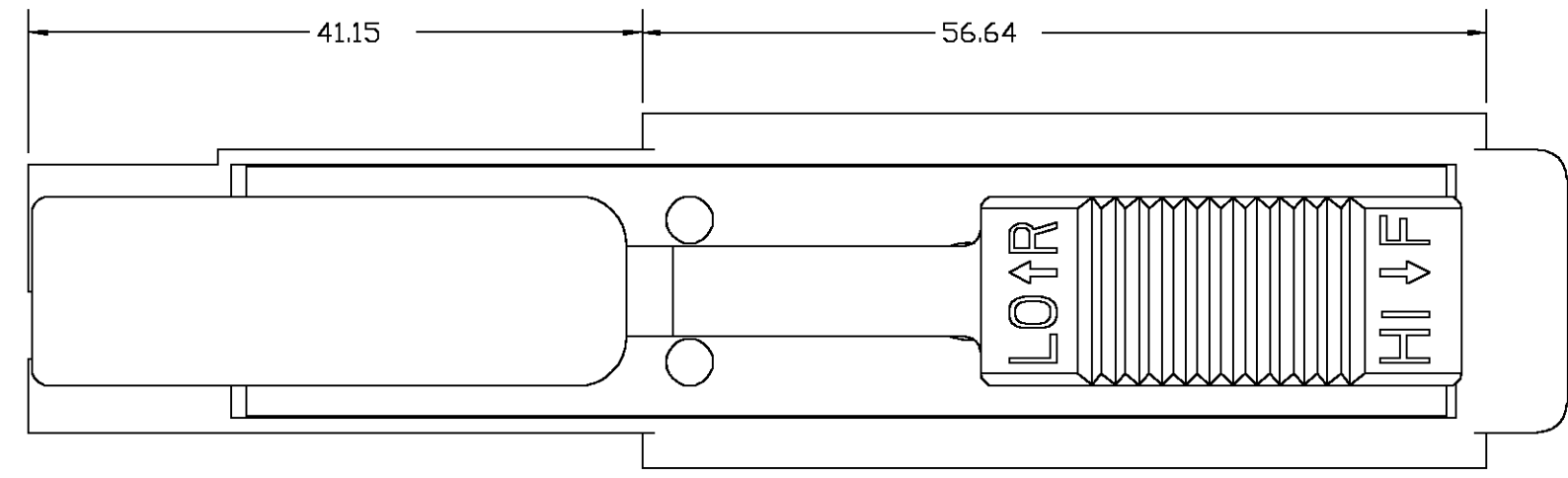
3

2

1

THIS DRAWING IS UNPUBLISHED. RELEASED FOR PUBLICATION 20
 © COPYRIGHT 20 BY TYCO ELECTRONICS CORPORATION. ALL RIGHTS RESERVED.

LOC	DIST	REVISIONS					
ES	00	P	LTR	DESCRIPTION	DATE	DWN	APVD
				SEE SHEET 1			



- NOTE:
- USE BRUSH CONTACT "TAB LOK" AMP P/N 62008 FOR TERMINAL CONNECTIONS OF THE SWITCH.
 - SWITCH RATING 12A-125 VAC, 6A-250VAC
 - ±0.25 TOL. ON ALL DIMS UNLESS NOTED OTHERWISE

1520279-7	90-14587-2	8909K416-BLACK COVER
1520279-8	90-14587	8909K417-RED COVER
TYCO NO	EATON NO	DESCRIPTION

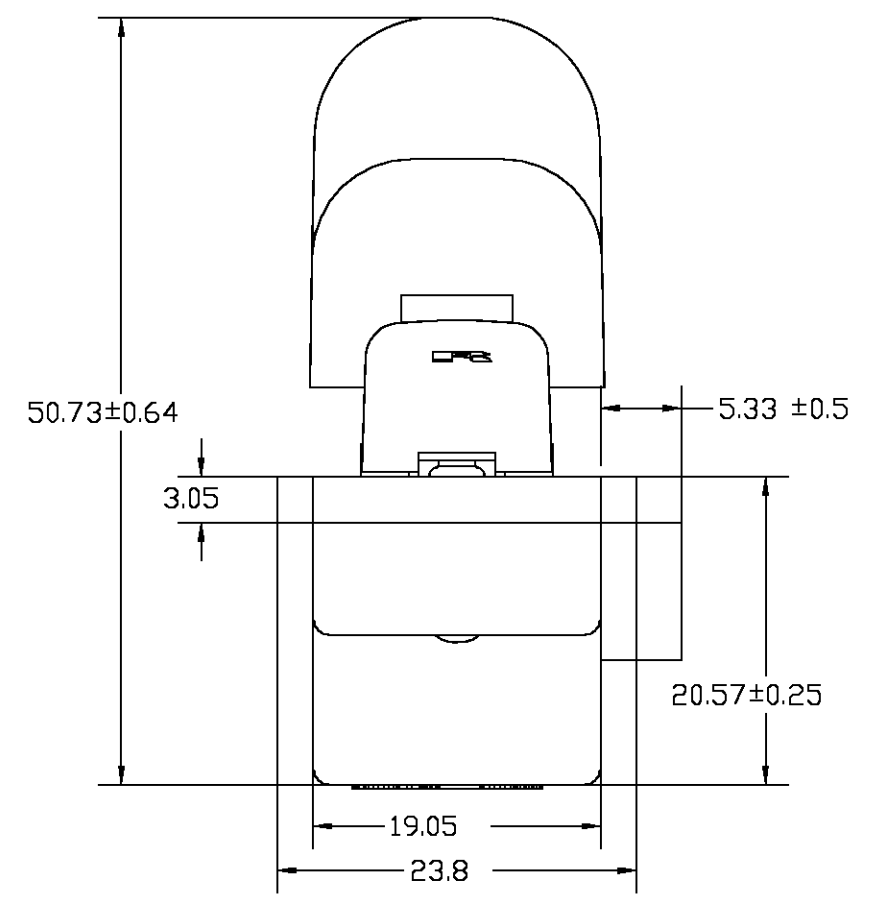
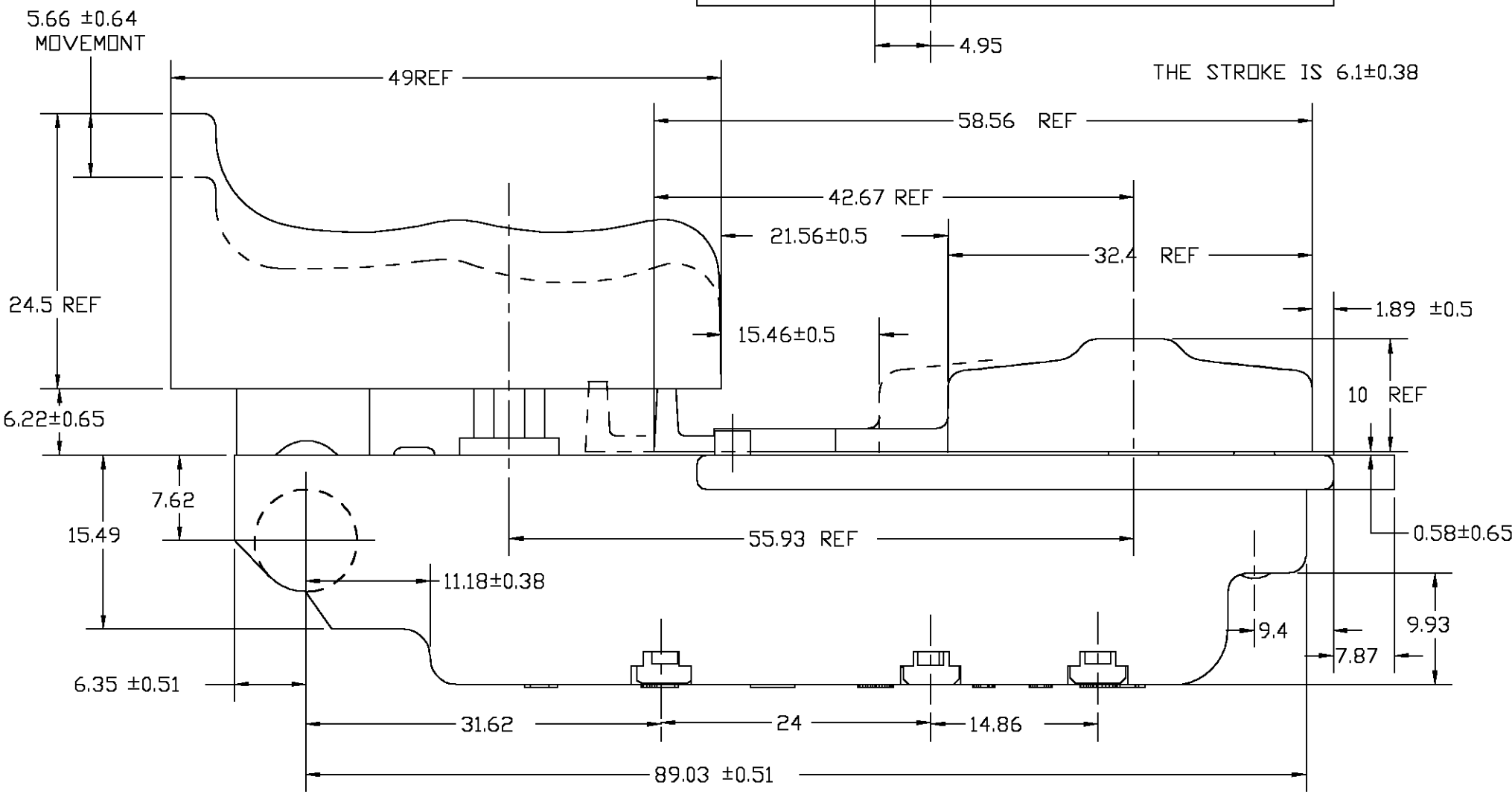
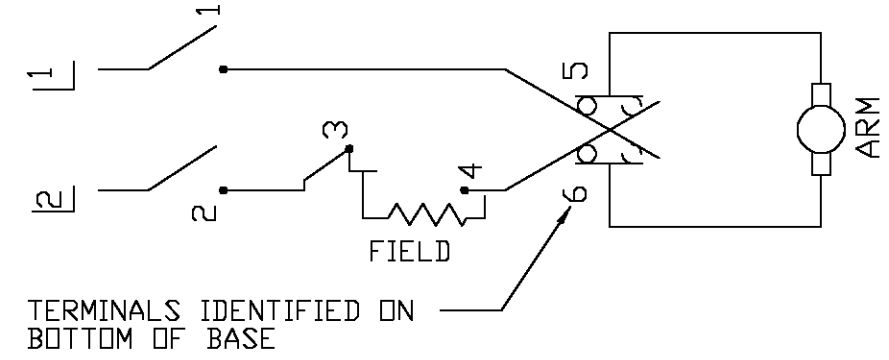
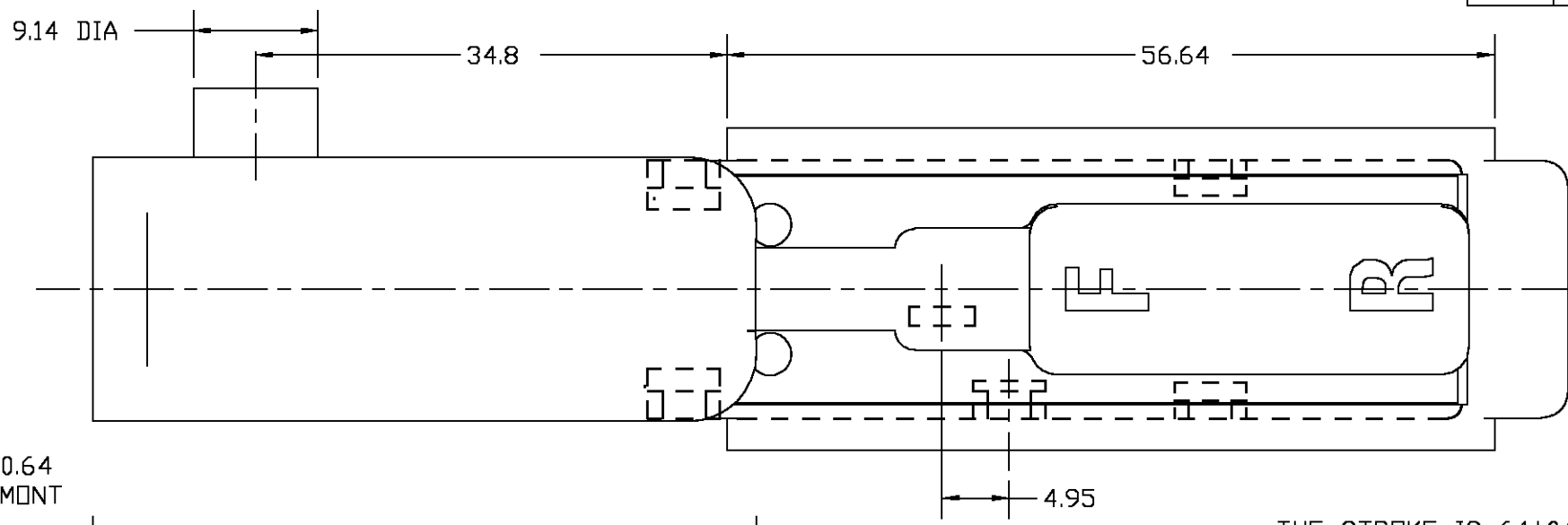
<small>THIS DRAWING IS A CONTROLLED DOCUMENT FOR TYCO ELECTRONICS CORPORATION. IT IS SUBJECT TO CHANGE AND THE CONTROLLING ENGINEERING ORGANIZATION SHOULD BE CONTACTED FOR THE LATEST REVISION.</small>	
DIMENSIONS:	TOLERANCES UNLESS OTHERWISE SPECIFIED:
mm	
	0 PLC ±
	1 PLC ±
	2 PLC ±
	3 PLC ±
	4 PLC ±
	ANGLES ±
MATERIAL	FINISH
-	-

DWN	J.ZHANG	27APR2005	Tyco Electronics Shanghai, CHINA
CHK	K.OOISHI	27APR2005	
APVD	M.SHINDO	27APR2005	
PRODUCT SPEC			NAME
APPLICATION SPEC			FORWARD-REVERSE TOOL HANDLE SWITCH
SIZE	CAGE CODE	DRAWING NO	RESTRICTED TO
A3	00779	©=1520279	-
CUSTOMER DRAWING		SCALE	SHEET
		2:1	4 OF 5
			REV A

THIS DRAWING IS UNPUBLISHED. RELEASED FOR PUBLICATION 20
 © COPYRIGHT 20 BY TYCO ELECTRONICS CORPORATION. ALL RIGHTS RESERVED.

LOC ES DIST 00

REVISIONS					
P	LTR	DESCRIPTION	DATE	DWN	APVD
	-	SEE SHEET 1	-	-	-



- NOTE:
1. OUTSIDE SURFACE OF TRIGGER AND BUTTON: (COLOR CODE: MATTE BLACK TEXTURE: MOLD-TECH MT-11010)
 2. USE BRUSH CONTACT "TAB LOK" AMP P/N 62008 FOR TERMINAL CONNECTIONS OF THE SWITCH.
 3. SWITCH RATING 12A-125 VAC, 6A-250VAC
 4. GENERAL TOL IS 0.25mm
 5. THE OPERATION FORCE OF TRIGGER: 3.0Kg~6.0Kg
 6. THE OPERATION FORCE OF SLIDE BUTTON: 1.0Kg~4.0Kg

<small>THIS DRAWING IS A CONTROLLED DOCUMENT FOR TYCO ELECTRONICS CORPORATION IT IS SUBJECT TO CHANGE AND THE CONTROLLING ENGINEERING ORGANIZATION SHOULD BE CONTACTED FOR THE LATEST REVISION.</small>		DWN J.ZHANG 27APR2005	Tyco Electronics Shanghai, CHINA	1-1520279-5 TYCO P/N			
DIMENSIONS: mm 		CHK K.OOISHI 27APR2005		NAME CLASSIC INDUSTRIAL COMB. SWITCH WITH NEW TRIGGER AND BUTTON			
TOLERANCES UNLESS OTHERWISE SPECIFIED: 0 PLC ±- 1 PLC ±- 2 PLC ±- 3 PLC ±- 4 PLC ±- ANGLES ±-		APVD M.SHINDO 27APR2005	PRODUCT SPEC - APPLICATION SPEC - WEIGHT -				
MATERIAL -		FINISH -		SIZE A3	CAGE CODE 00779	DRAWING NO ©=1520279	RESTRICTED TO -
CUSTOMER DRAWING				SCALE 2:1	SHEET 5 OF 5	REV A	